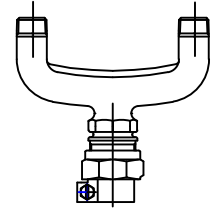


Cambridge Brass  
P.O. Box 249  
140 Orion Place  
Cambridge, Ontario  
Canada N1R 5V1  
Tel: (519) 621-5520  
Fax: (519) 621-8674  
http://www.cambridgebrass.com

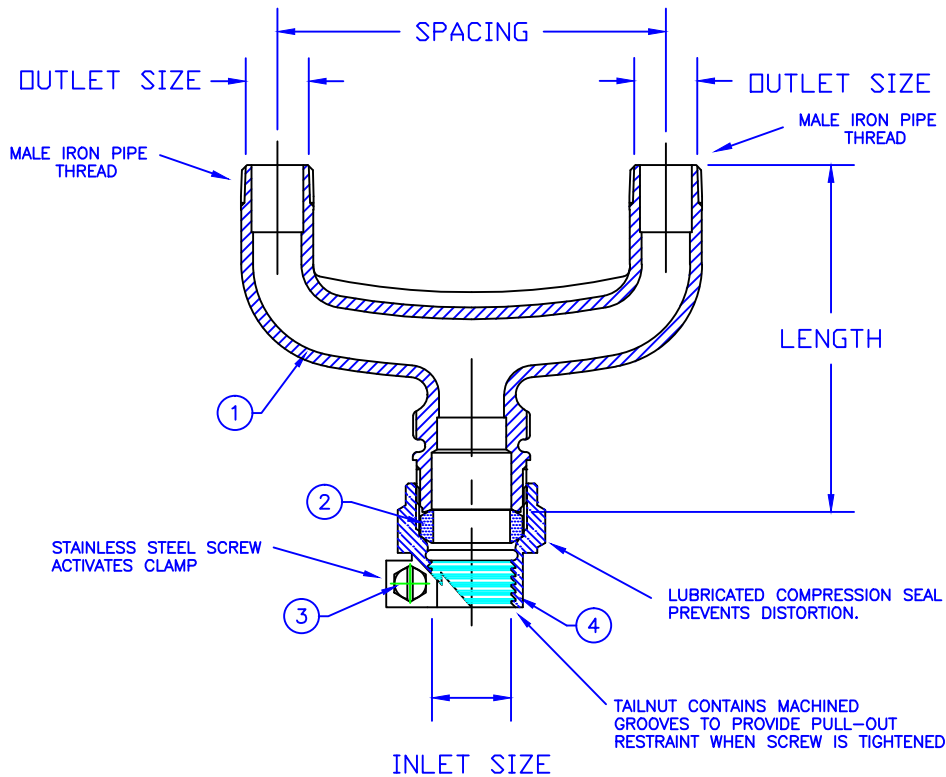


MODEL NO. 172NL

CAMPAK x M.I.P. x M.I.P.

U-BRANCH

CAMPAK COMPRESSION JOINT FOR COPPER OR PLASTIC TUBING (CTS) INLET BY MALE IRON PIPE THREAD OUTLETS



- PARTS AND MATERIAL:
1. BODY: CAST BRASS, ALLOY C89833
  2. COMPRESSION SEAL: NITRILE RUBBER
  3. SCREW: STAINLESS STEEL, ALLOY 304
  4. CAMPAK NUT: CAST BRASS, ALLOY C83600

- FEATURES:
- ALL COMPONENTS CONFORM TO AWWA C800 (ASTM B-584, UNS NO C89833 FOR BRASS PARTS IN CONTACT WITH POTABLE WATER AND ASTM B-62 AND B-584, UNS NO C83600 FOR ALL OTHER BRASS PARTS).
  - CONFORMS TO ANSI/NSF 61-8
  - CONFORMS TO ANSI/NSF 372 (COMPLIANT WITH US Safe Drinking Water Act. PL 111-380)
  - 300 PSI WORKING PRESSURE.

Cambridge Brass considers the information in this submittal form to be correct at the time of publication. Item and option availability, including specifications, are subject to change without notice.

CATALOG NO.	INLET SIZE CAMPAK	OUTLET SIZE MALE IRON PIPE	SPACING	LENGTH	APPROX. WT. LBS.
172NL-B4M3	1"	3/4"	5.62"	5.02"	2.7
172NL-B4M36500	1"	3/4"	6.50"	3.91"	2.8
172NL-B4M37500	1"	3/4"	7.50"	3.96"	3.2

Submitted by: